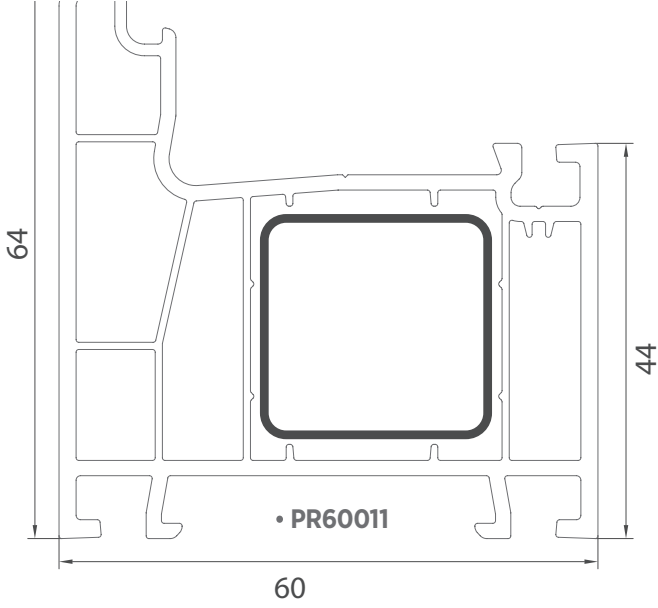




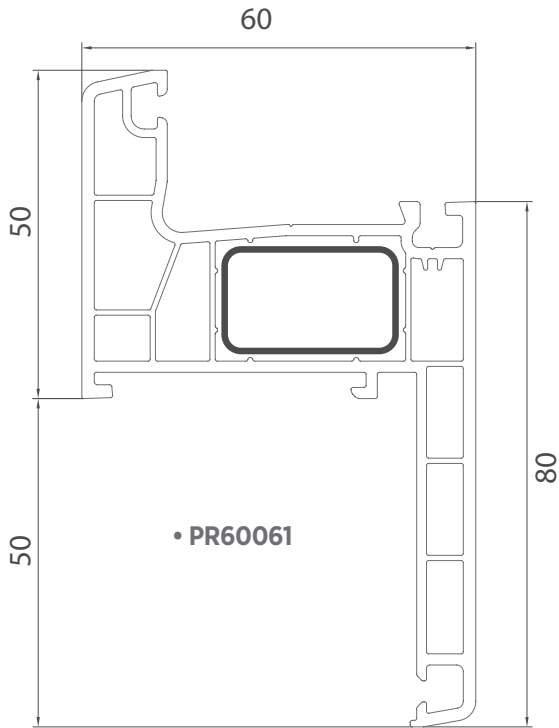
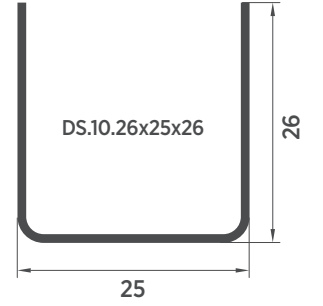
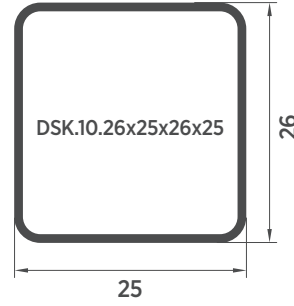
SOLO WINDOW & DOOR

TECHNICAL CATALOG



Profil Kodu / Profile Code : PR60011

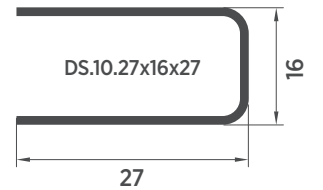
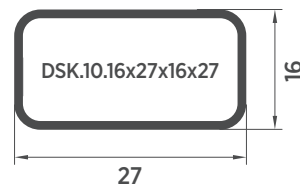
Destek Sacı / Reinforcement	Kalınlık Thickness	Ağırlık (kg/m) Weight
DSK.10.26x25x26x25	1,0 mm	0,733
	1,2 mm	0,861
	1,5 mm	1,053
	2 mm	1,342
DS.10.26x25x26	1,0 mm	0,569
	1,2 mm	0,674
	1,5 mm	0,831

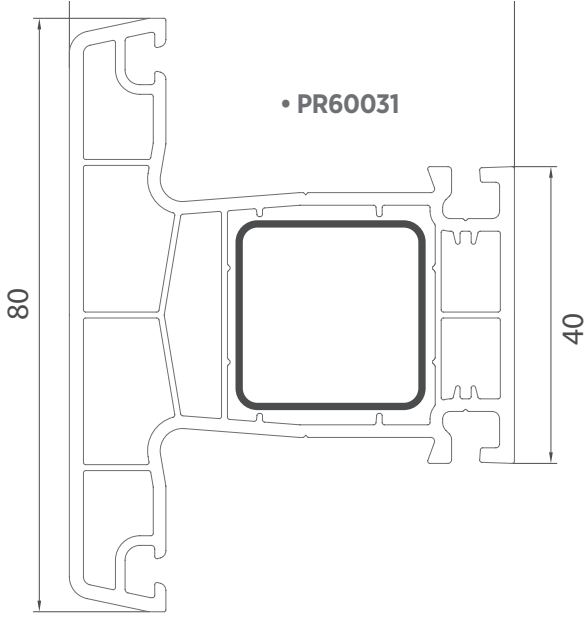


Momentum Pervazlı Kasa
Momentum Frame With Dec. Sill

Profil Kodu / Profile Code : PR60061

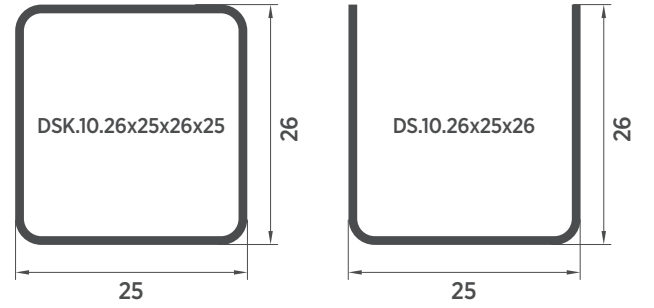
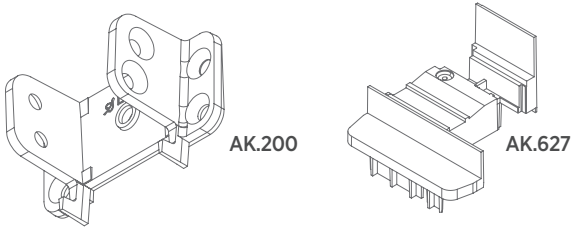
Destek Sacı / Reinforcement	Kalınlık Thickness	Ağırlık (kg/m) Weight
DSK.10.16x27x16x27	1,0 mm	0,608
	1,2 mm	0,711
	1,5 mm	0,866
	2 mm	1,092
DS.10.27x16x27	1,0 mm	0,515
	1,2 mm	0,608
	1,5 mm	0,749





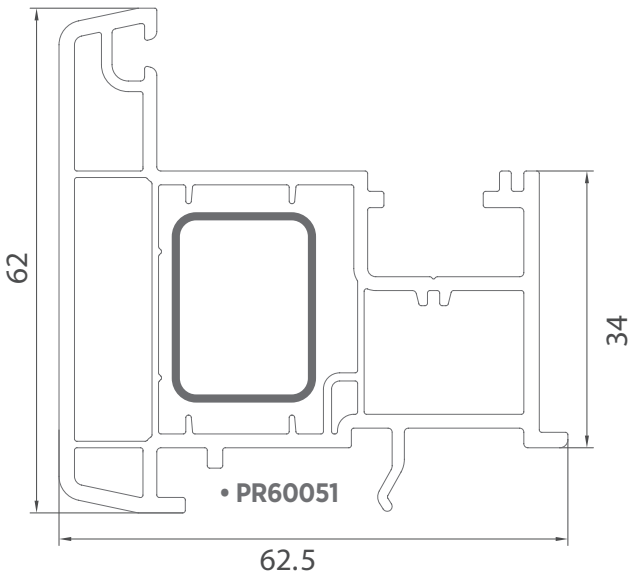
Profil Kodu / Profile Code : PR60031

Destek Sacı / Reinforcement	Kalınlık Thickness	Ağırlık (kg/m) Weight
DSK.10.26x25x26x25	1,0 mm	0,733
	1,2 mm	0,861
	1,5 mm	1,053
	2 mm	1,342
DS.10.26x25x26	1,0 mm	0,569
	1,2 mm	0,674
	1,5 mm	0,831

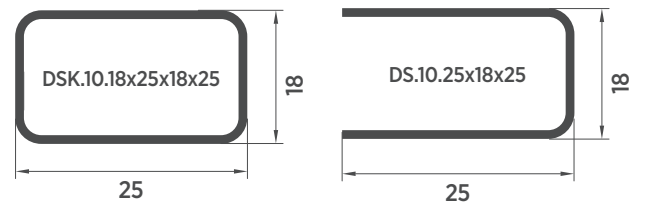


Momentum Hareketli Orta Kayıt
Momentum Lap Joint

Profil Kodu / Profile Code : PR60051



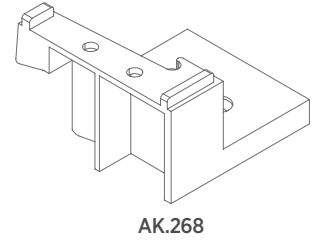
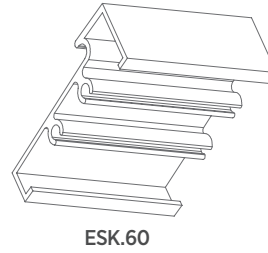
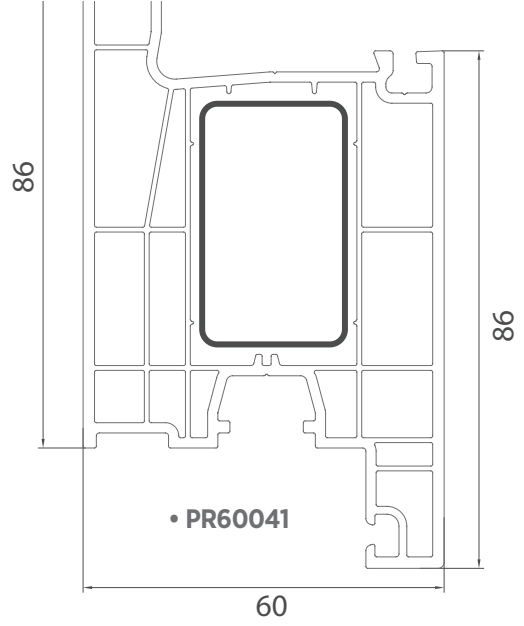
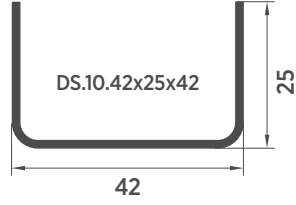
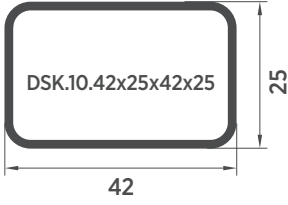
Destek Sacı / Reinforcement	Kalınlık Thickness	Ağırlık (kg/m) Weight
DSK.10.18x25x18x25	1,0 mm	0,608
	1,2 mm	0,711
	1,5 mm	0,866
	2 mm	1,092
DS.10.25x18x25	1,0 mm	0,499
	1,2 mm	0,590
	1,5 mm	0,725



Momentum Door Sash

Profil Kodu / Profile Code : PR60041

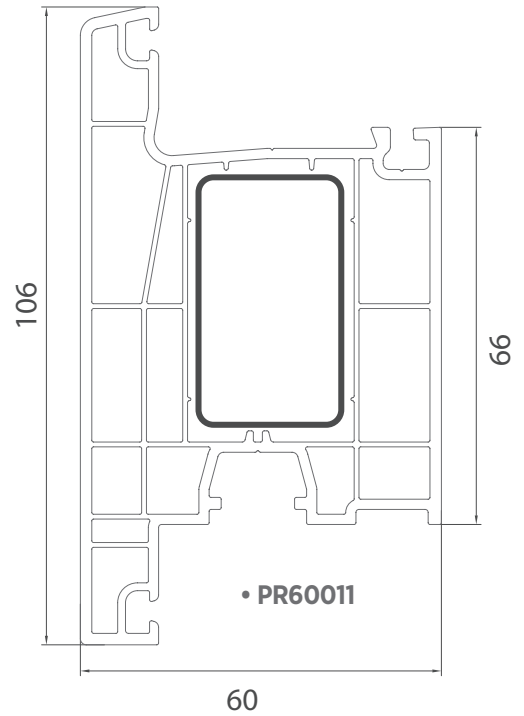
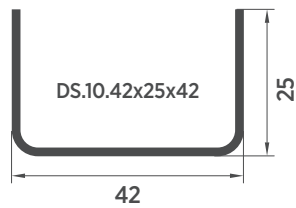
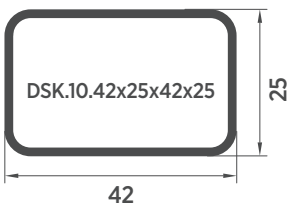
Destek Sacı / Reinforcement	Kalınlık Thickness	Ağırlık (kg/m) Weight
DSK.10.42x25x42x25	1,0 mm	0,983
	1,2 mm	1,161
	1,5 mm	1,427
	2 mm	1,841
DS.10.42x25x42	1,0 mm	0,819
	1,2 mm	0,973
	1,5 mm	1,205

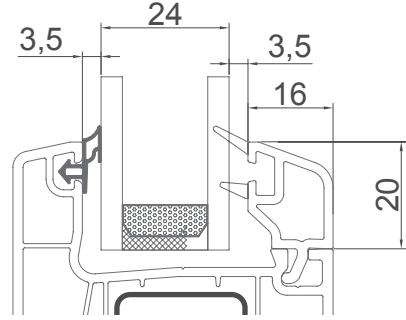
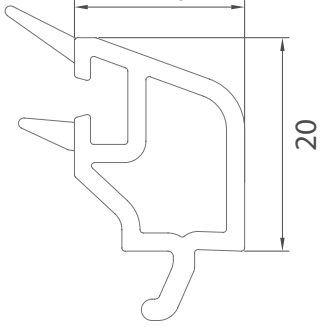


Momentum Dışa Açılım Kapı Kanat
Momentum Outward Opening Door Sash

Profil Kodu / Profile Code : PR60111

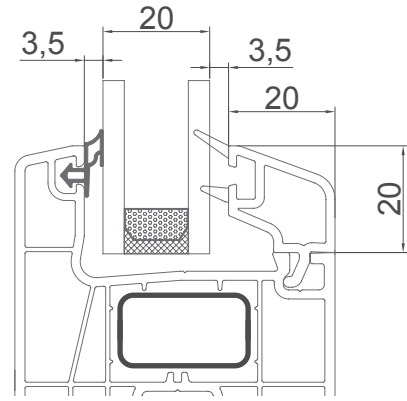
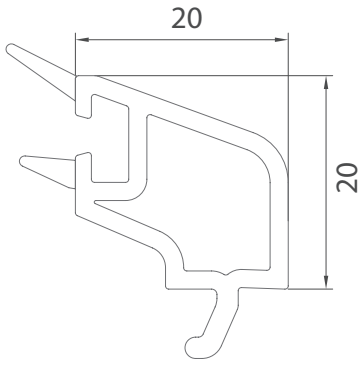
Destek Sacı / Reinforcement	Kalınlık Thickness	Ağırlık (kg/m) Weight
DSK.10.42x25x42x25	1,0 mm	0,983
	1,2 mm	1,161
	1,5 mm	1,427
	2 mm	1,841
DS.10.42x25x42	1,0 mm	0,819
	1,2 mm	0,973
	1,5 mm	1,205





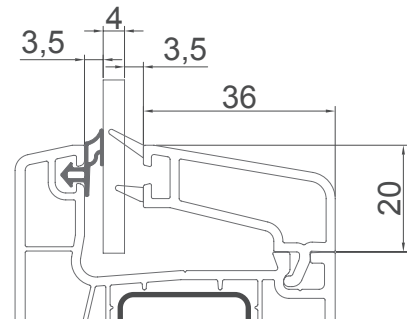
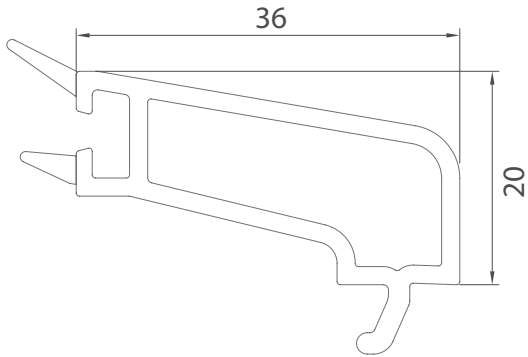
Momentum 24 mm Çift Cam Çita
Momentum Double Glazing Bead 24 mm

Profil Kodu / Profile Code : PR60247

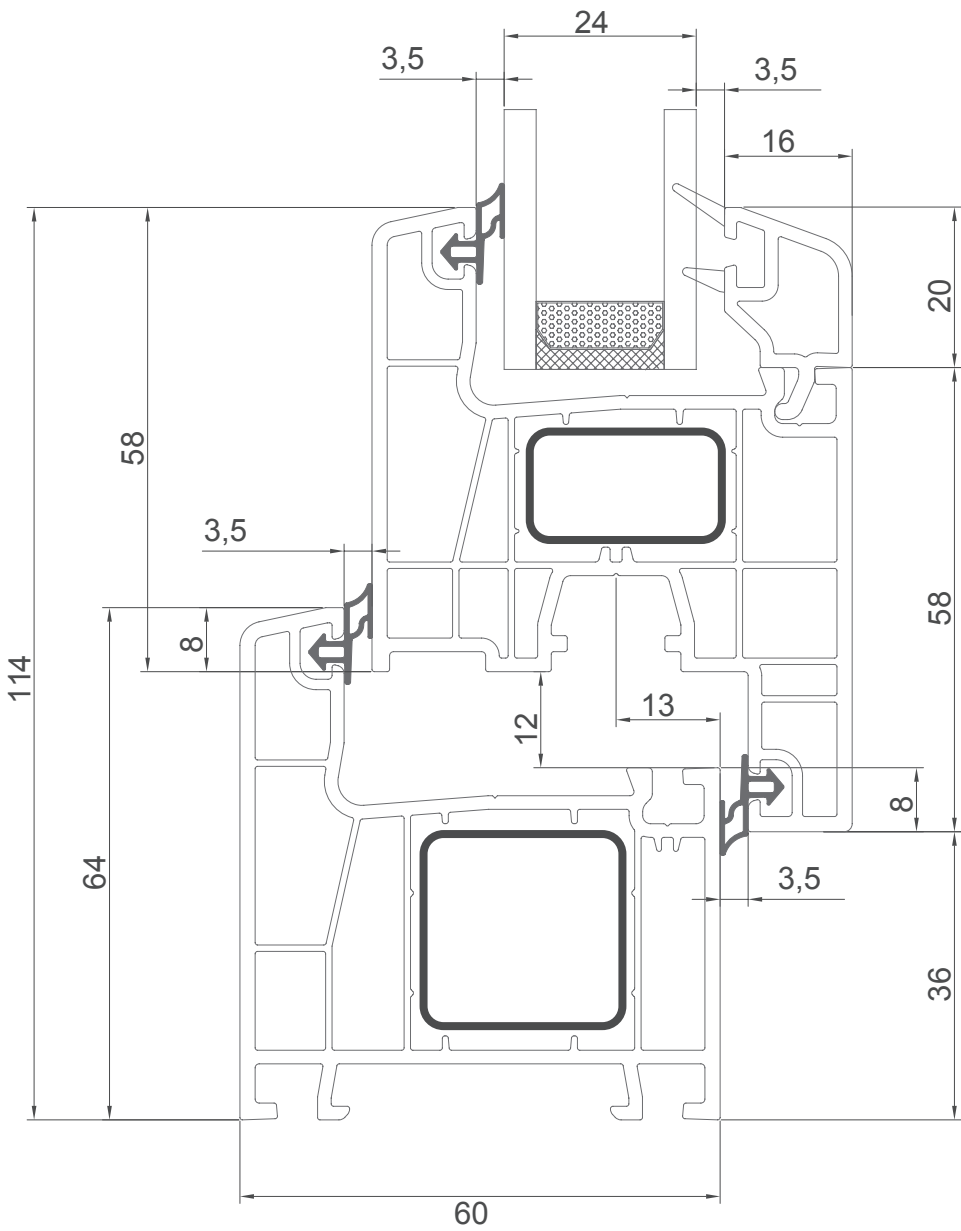


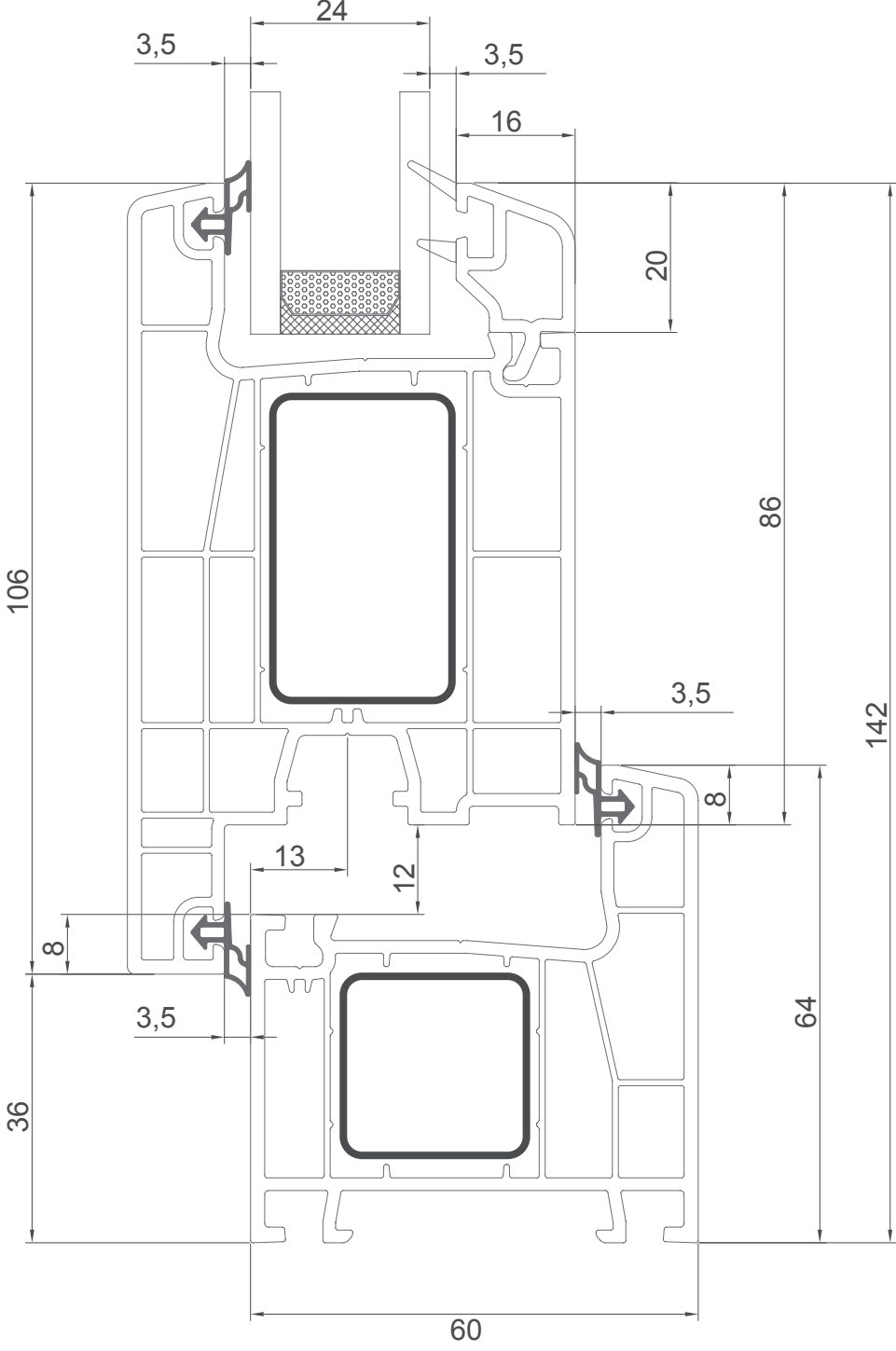
Momentum 20 mm Çift Cam Çita
Momentum Double Glazing Bead 20 mm

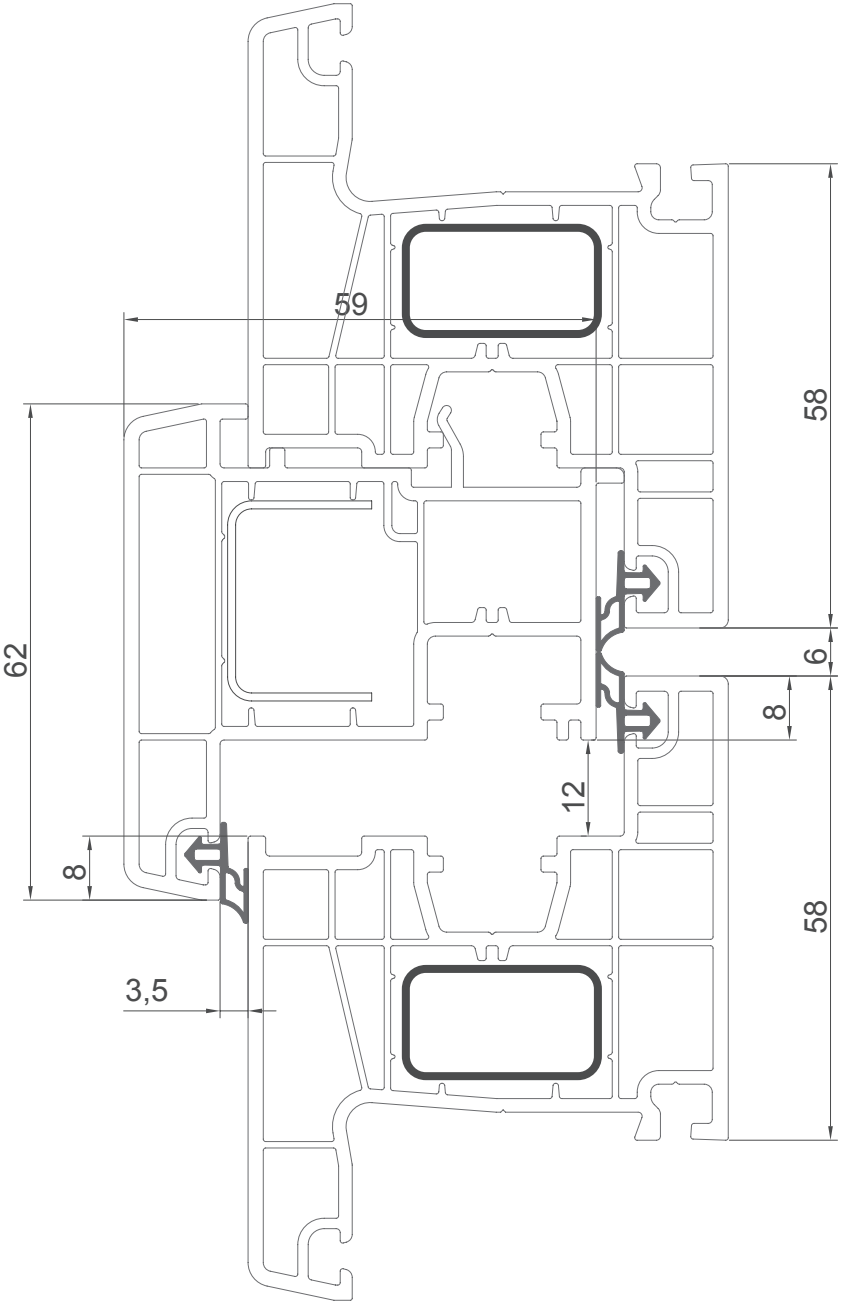
Profil Kodu / Profile Code : PR60207

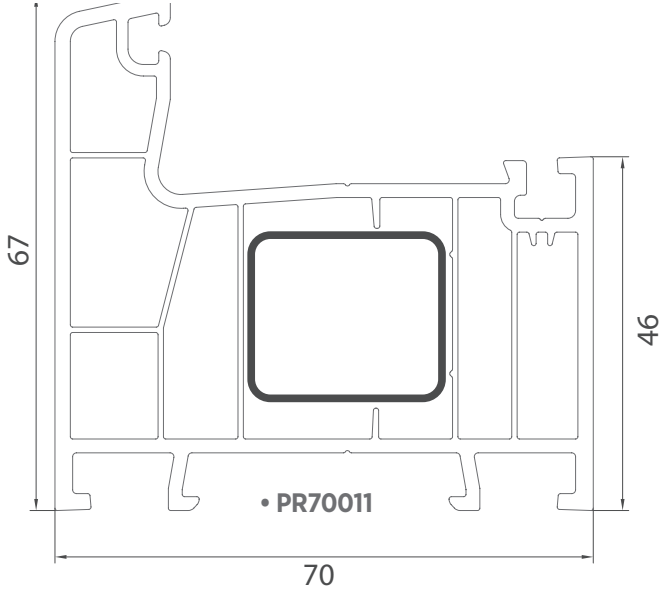


Momentum 4 mm Çift Cam Çita
Momentum Single Glazing Bead 4 mm



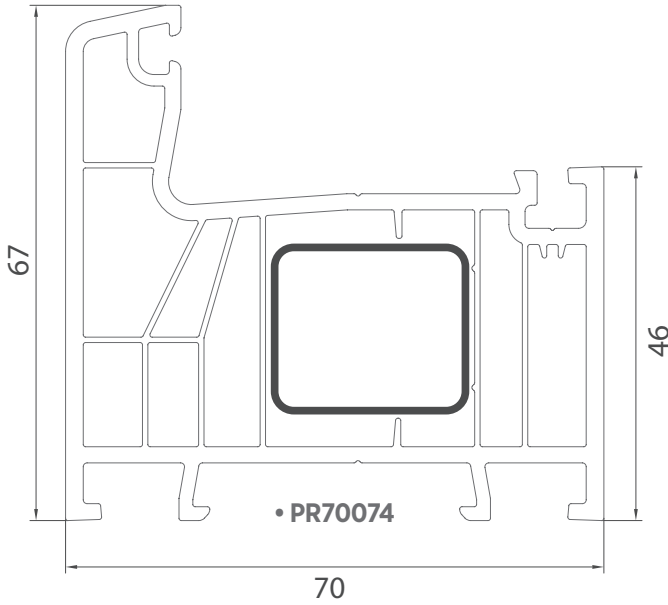
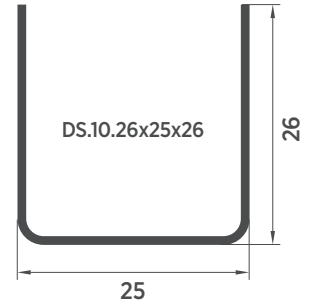
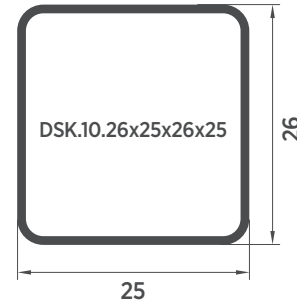






Profil Kodu / Profile Code : PR70011

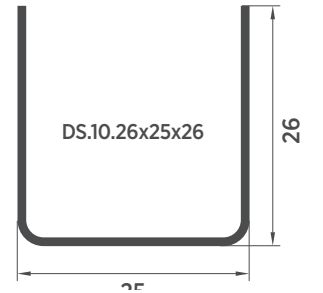
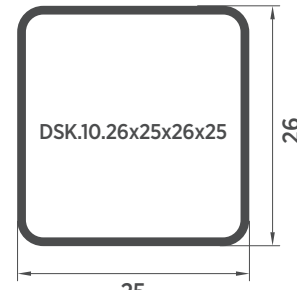
Destek Sacı / Reinforcement	Kalınlık Thickness	Ağırlık (kg/m) Weight
DSK.10.26x25x26x25	1,0 mm	0,733
	1,2 mm	0,861
	1,5 mm	1,053
	2 mm	1,342
DS.10.26x25x26	1,0 mm	0,569
	1,2 mm	0,674
	1,5 mm	0,831

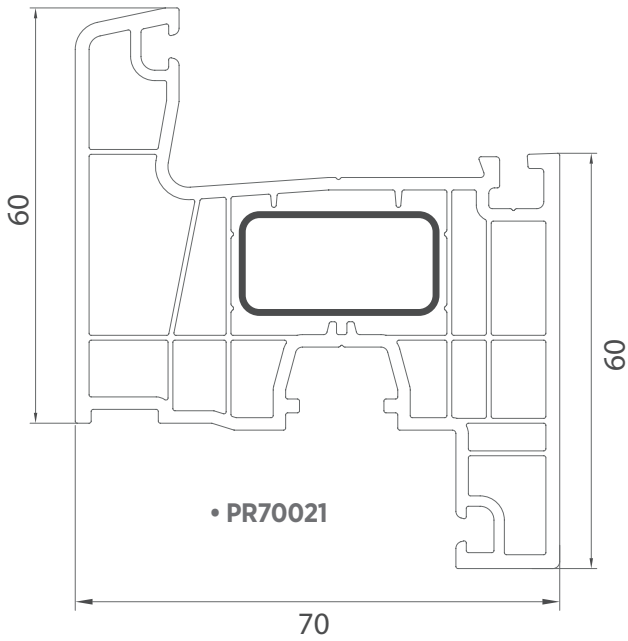
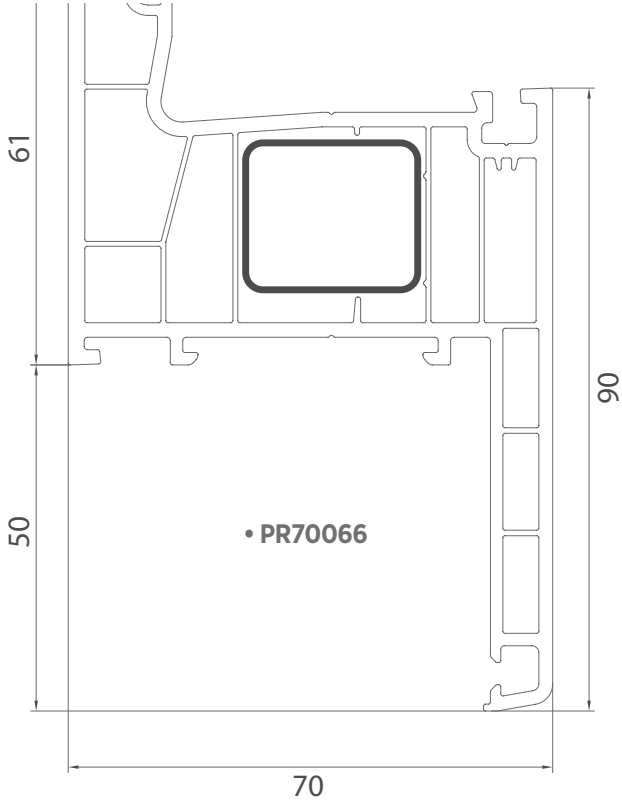


**Dinamic Kasa
Dinamic Frame**

Profil Kodu / Profile Code : PR70074

Destek Sacı / Reinforcement	Kalınlık Thickness	Ağırlık (kg/m) Weight
DSK.10.26x25x26x25	1,0 mm	0,733
	1,2 mm	0,861
	1,5 mm	1,053
	2 mm	1,342
DS.10.26x25x26	1,0 mm	0,569
	1,2 mm	0,674
	1,5 mm	0,831

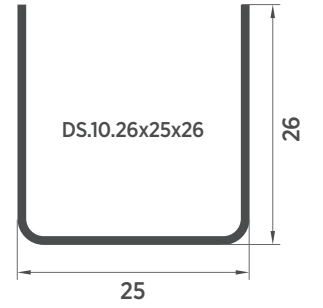
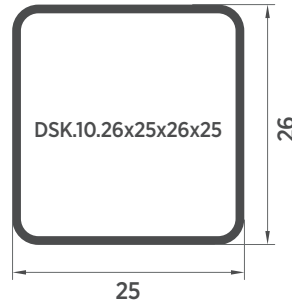




Dinamic Plus Frame With Sill

Profil Kodu / Profile Code : PR70066

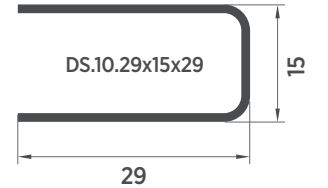
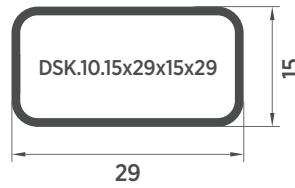
Destek Sacı / Reinforcement	Kalınlık Thickness	Ağırlık (kg/m) Weight
DSK.10.26x25x26x25	1,0 mm	0,733
	1,2 mm	0,861
	1,5 mm	1,053
	2 mm	1,342
DS.10.26x25x26	1,0 mm	0,569
	1,2 mm	0,674
	1,5 mm	0,831



Dinamic B Kanat / Dinamic B Sash

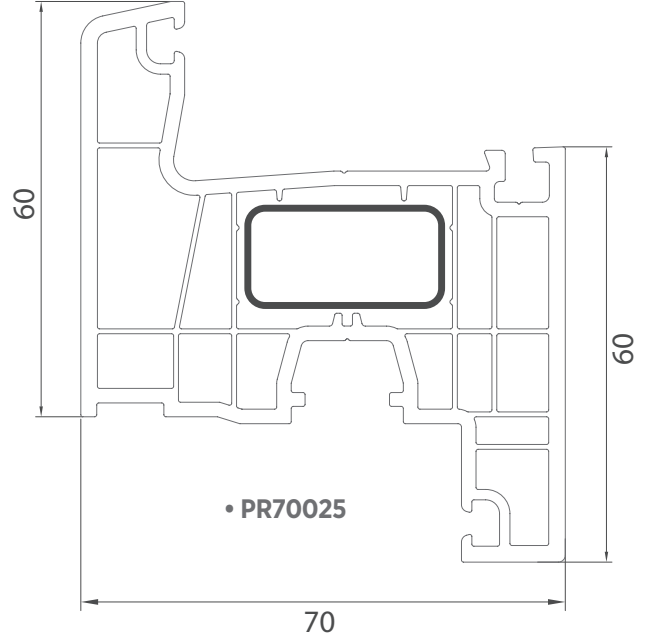
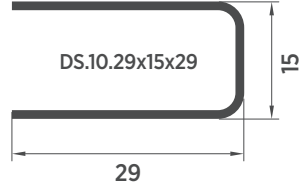
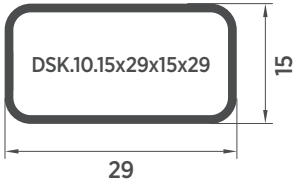
Profil Kodu / Profile Code : PR70021

Destek Sacı / Reinforcement	Kalınlık Thickness	Ağırlık (kg/m) Weight
DSK.10.15x29x15x29	1,0 mm	0,624
	1,2 mm	0,730
	1,5 mm	0,889
	2 mm	1,123
DS.10.29x15x29	1,0 mm	0,538
	1,2 mm	0,636
	1,5 mm	0,784



Profil Kodu / Profile Code : PR70025

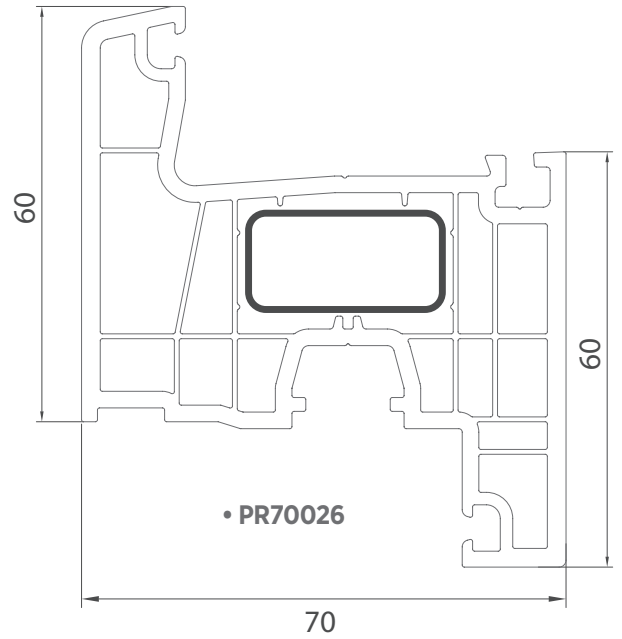
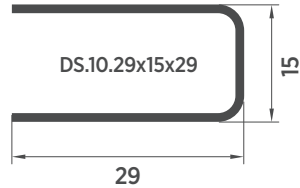
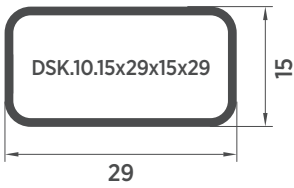
Destek Sacı / Reinforcement	Kalınlık Thickness	Ağırlık (kg/m) Weight
DSK.10.15x29x15x29	1,0 mm	0,624
	1,2 mm	0,730
	1,5 mm	0,889
	2 mm	1,123
DS.10.29x15x29	1,0 mm	0,538
	1,2 mm	0,636
	1,5 mm	0,784

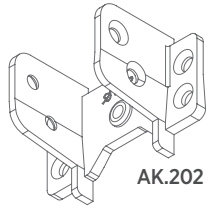
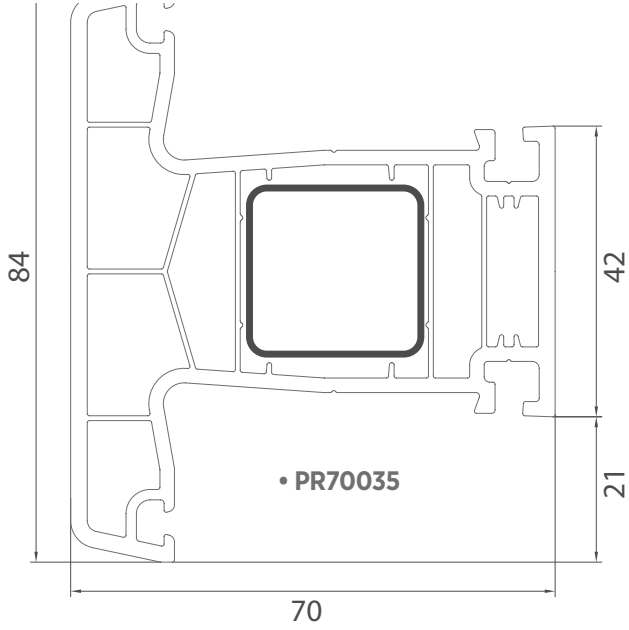


**Dinamic Plus Kanat
Dinamic Plus Sash**

Profil Kodu / Profile Code : PR70026

Destek Sacı / Reinforcement	Kalınlık Thickness	Ağırlık (kg/m) Weight
DSK.10.15x29x15x29	1,0 mm	0,624
	1,2 mm	0,730
	1,5 mm	0,889
	2 mm	1,123
DS.10.29x15x29	1,0 mm	0,538
	1,2 mm	0,636
	1,5 mm	0,784

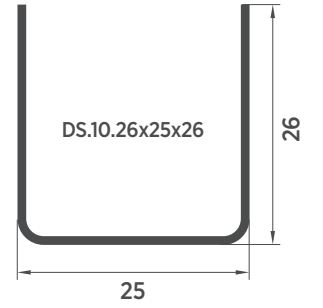
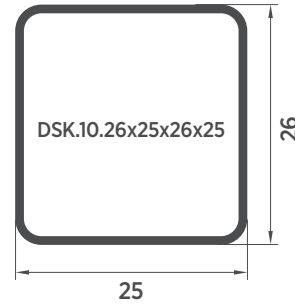




Dinamic Mullion

Profil Kodu / Profile Code : PR70035

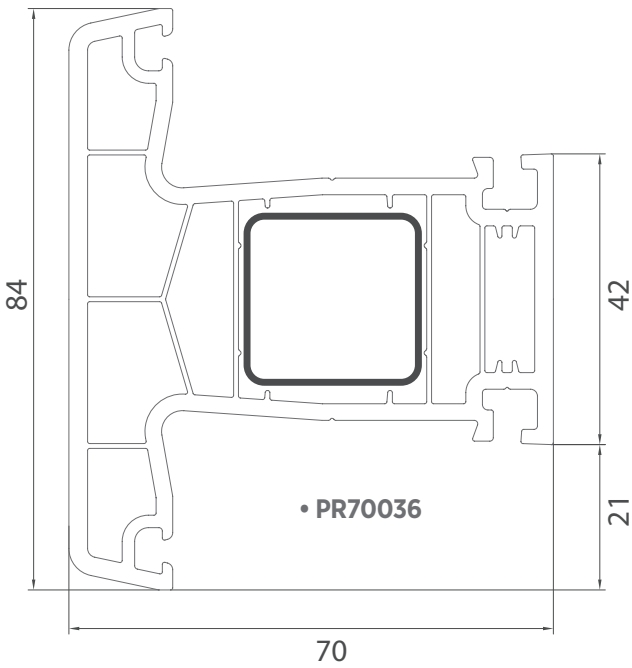
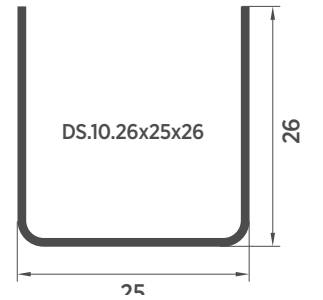
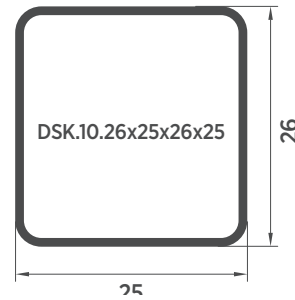
Destek Sacı / Reinforcement	Kalınlık Thickness	Ağırlık (kg/m) Weight
DSK.10.26x25x26x25	1,0 mm	0,733
	1,2 mm	0,861
	1,5 mm	1,053
	2 mm	1,342
DS.10.26x25x26	1,0 mm	0,569
	1,2 mm	0,674
	1,5 mm	0,831

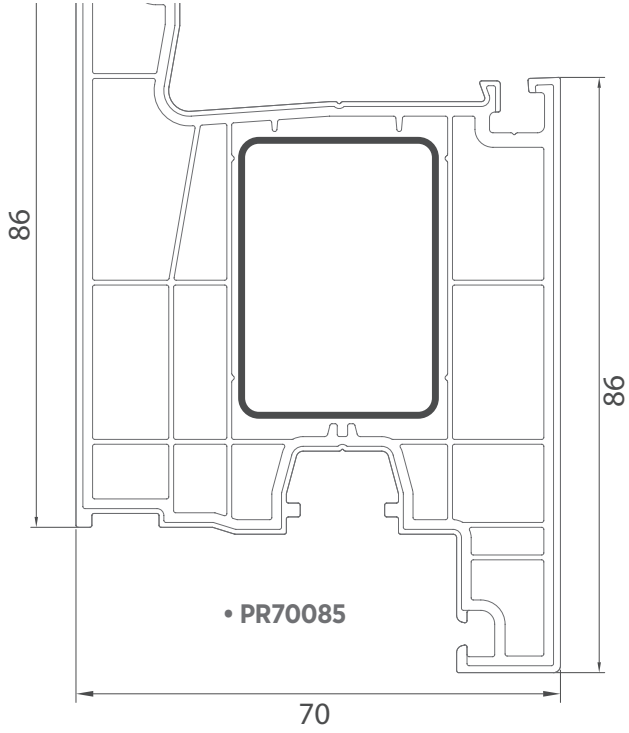


**Dinamic Plus Orta Kayıt
Dinamic Plus Mullion**

Profil Kodu / Profile Code : PR70036

Destek Sacı / Reinforcement	Kalınlık Thickness	Ağırlık (kg/m) Weight
DSK.10.26x25x26x25	1,0 mm	0,733
	1,2 mm	0,861
	1,5 mm	1,053
	2 mm	1,342
DS.10.26x25x26	1,0 mm	0,569
	1,2 mm	0,674
	1,5 mm	0,831

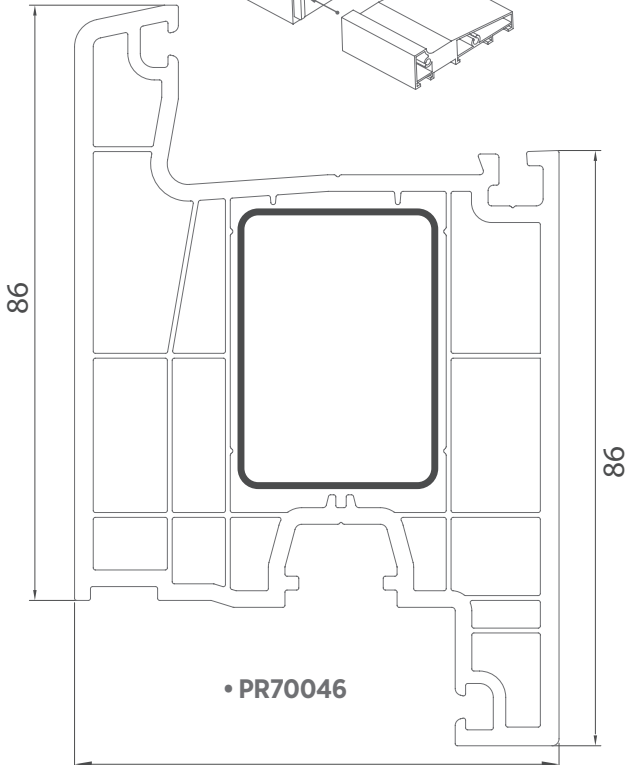
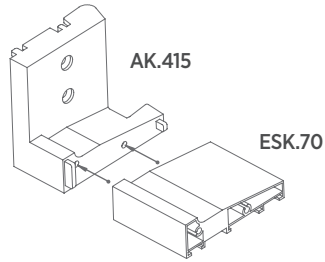
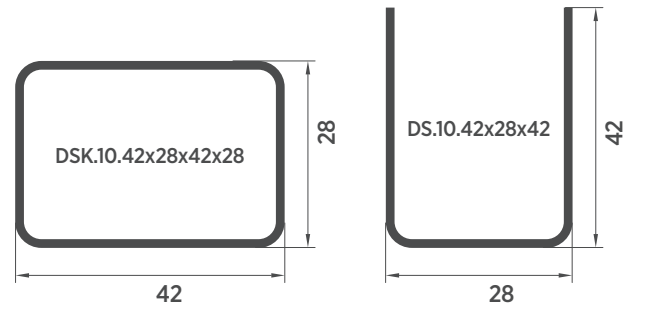




Dinamic Door Sash

Profil Kodu / Profile Code : PR70085

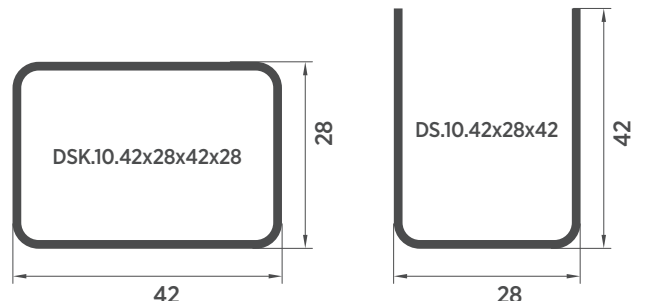
Destek Sacı / Reinforcement	Kalınlık Thickness	Ağırlık (kg/m) Weight
DSK.10.42x28x42x28	1,0 mm	1,030
	1,2 mm	1,217
	1,5 mm	1,498
	2 mm	1,934
DS.10.42x28x42	1,0 mm	0,842
	1,2 mm	1,002
	1,5 mm	1,240

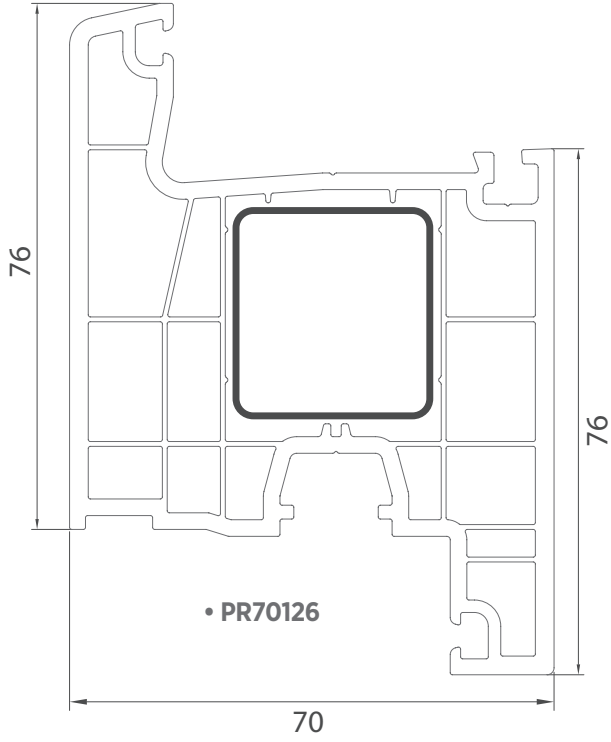


**Dinamic Plus Kapı Kanat
Dinamic Plus Door Sash**

Profil Kodu / Profile Code : PR70046

Destek Sacı / Reinforcement	Kalınlık Thickness	Ağırlık (kg/m) Weight
DSK.10.42x28x42x28	1,0 mm	1,030
	1,2 mm	1,217
	1,5 mm	1,498
	2 mm	1,934
DS.10.42x28x42	1,0 mm	0,842
	1,2 mm	1,002
	1,5 mm	1,240

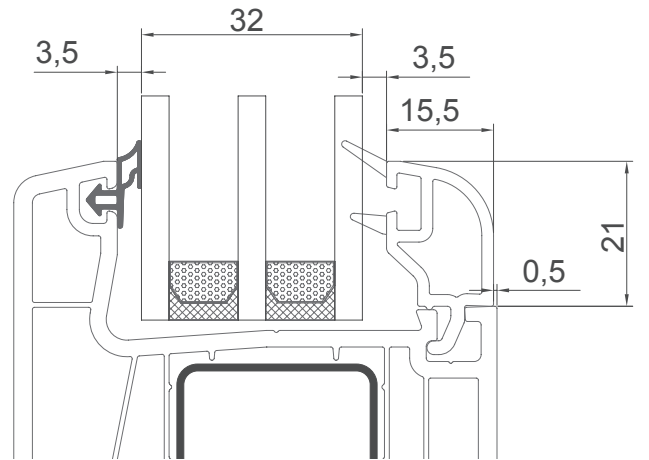
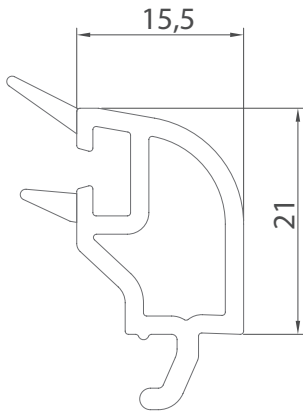
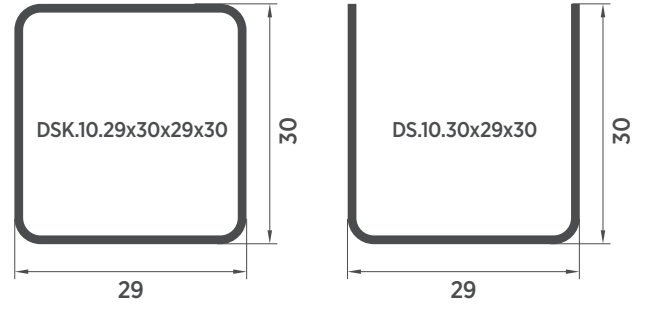




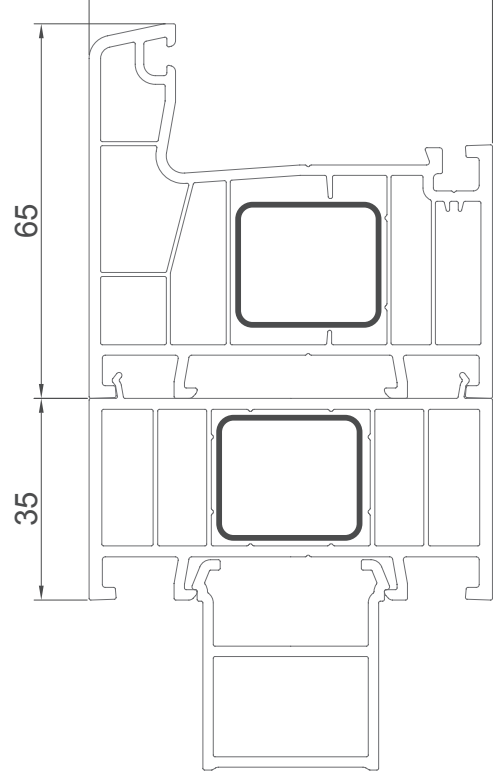
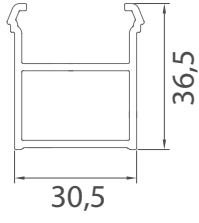
Dinamic Plus Dar Kapı Kandı
Dinamic Plus Narrow Door Sash

Profil Kodu / Profile Code : PR70126

Destek Sacı / Reinforcement	Kalınlık Thickness	Ağırlık (kg/m) Weight
DSK.10.29x30x29x30	1,0 mm	0,858
	1,2 mm	1,011
	1,5 mm	1,240
	2 mm	1,591
DS.10.30x29x30	1,0 mm	0,663
	1,2 mm	0,786
	1,5 mm	0,971

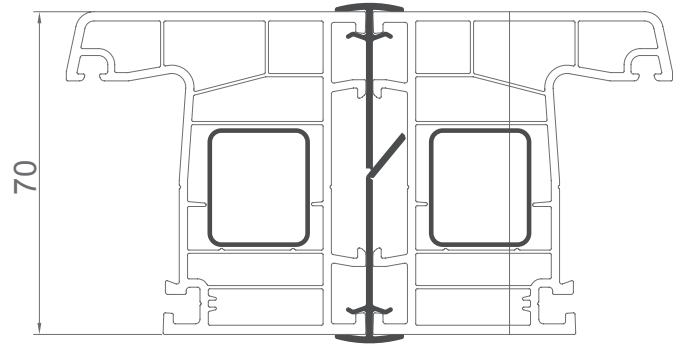
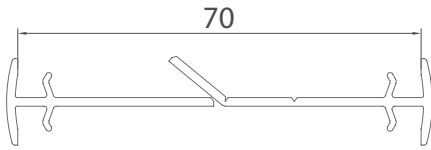


Dinamic 32 mm Üç Cam Çıta
Dinamic Triple Glazing Bead 32 mm



Kasa Altı Montaj Profili
Frame Montage Profile

Profil Kodu / Profile Code : YPR10521



Bağ Profili
Narrow Coupling Profile

